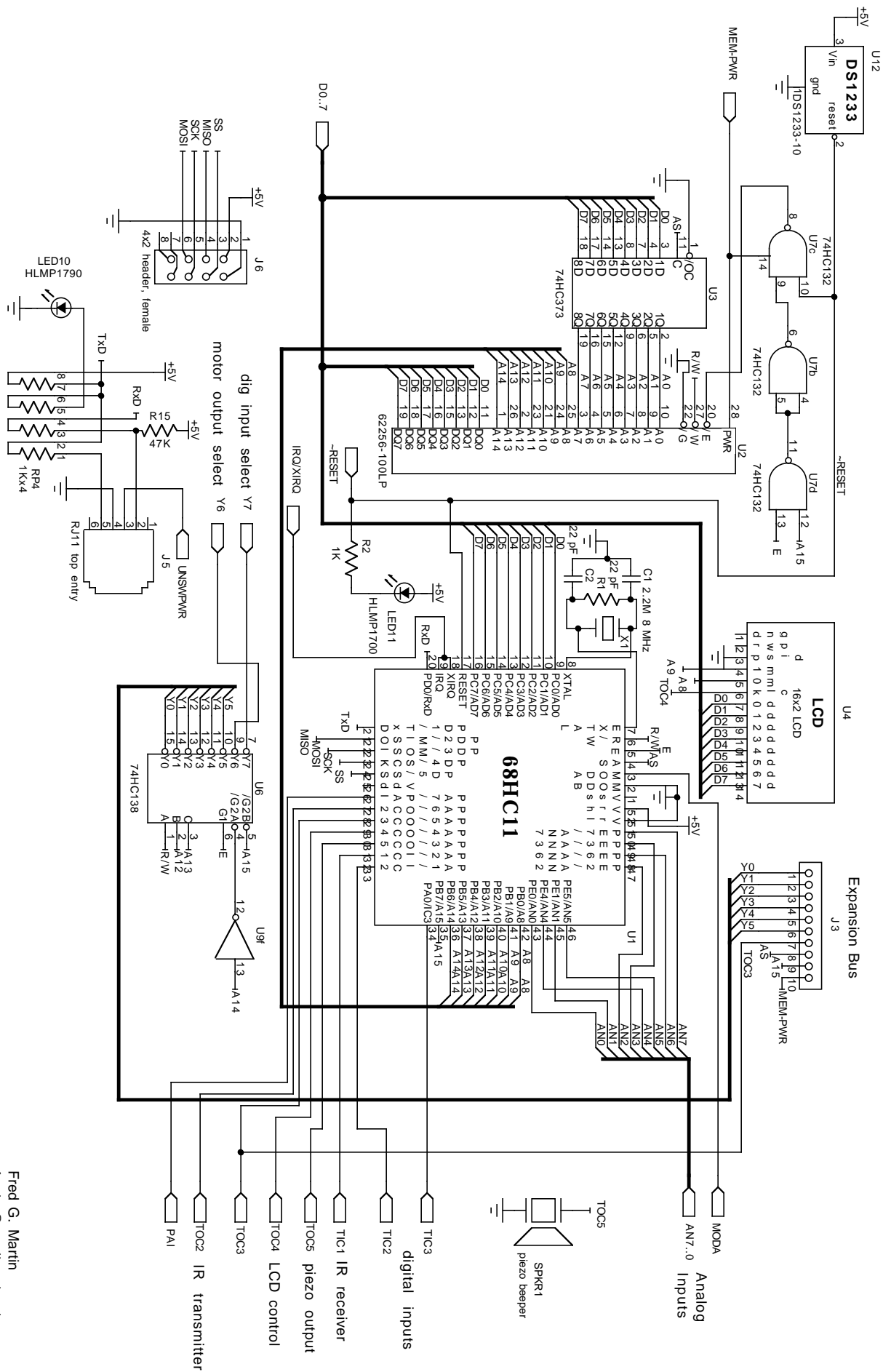
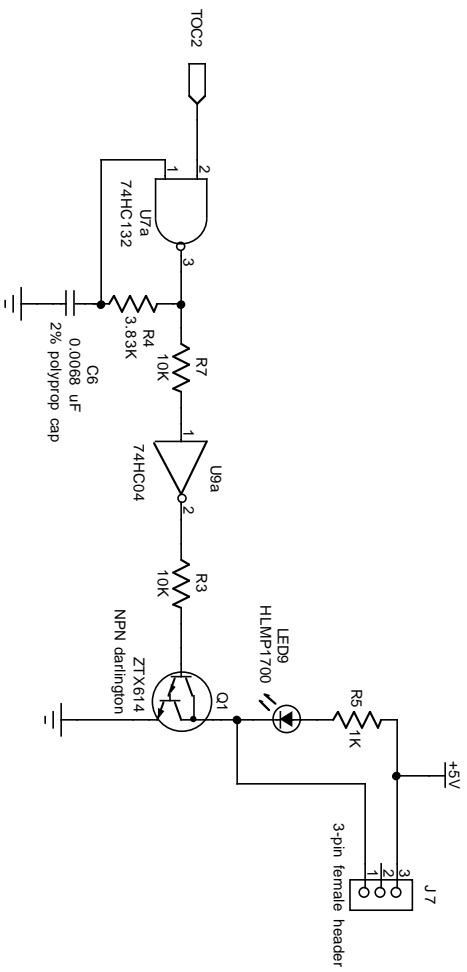


Handy Board version 1.2 CPU Board: CPU and Memory Circuit



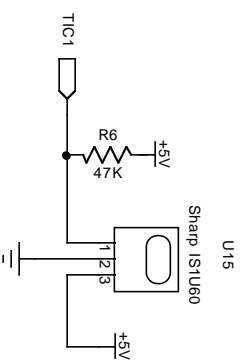
Fred G. Martin
 fredm@media.mit.edu
 MIT Media Laboratory
 November 30, 1995

Handy Board version 1.2 CPU Board: Infrared Transmission Circuit

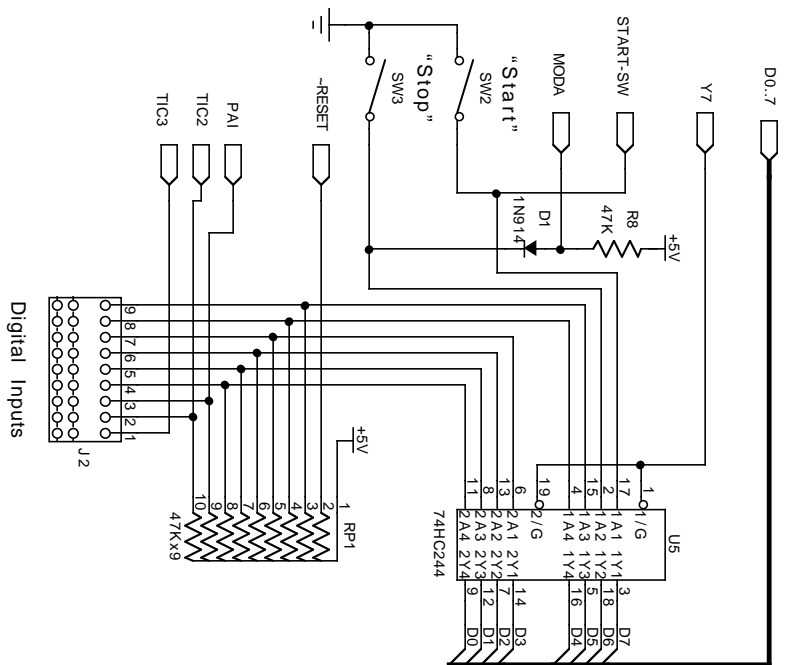


Fred G. Martin
fredm@media.mit.edu
MIT Media Laboratory
March 28, 1996

Handy Board version 1.2 CPU Board: Infrared Input Circuit

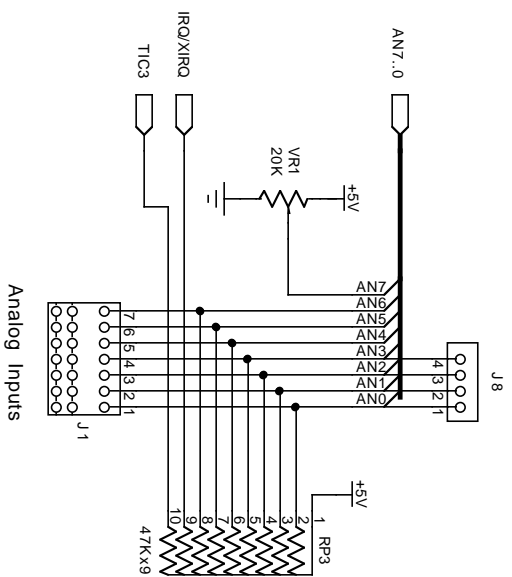


Handy Board version 1.2 CPU Board: Digital Input Circuit

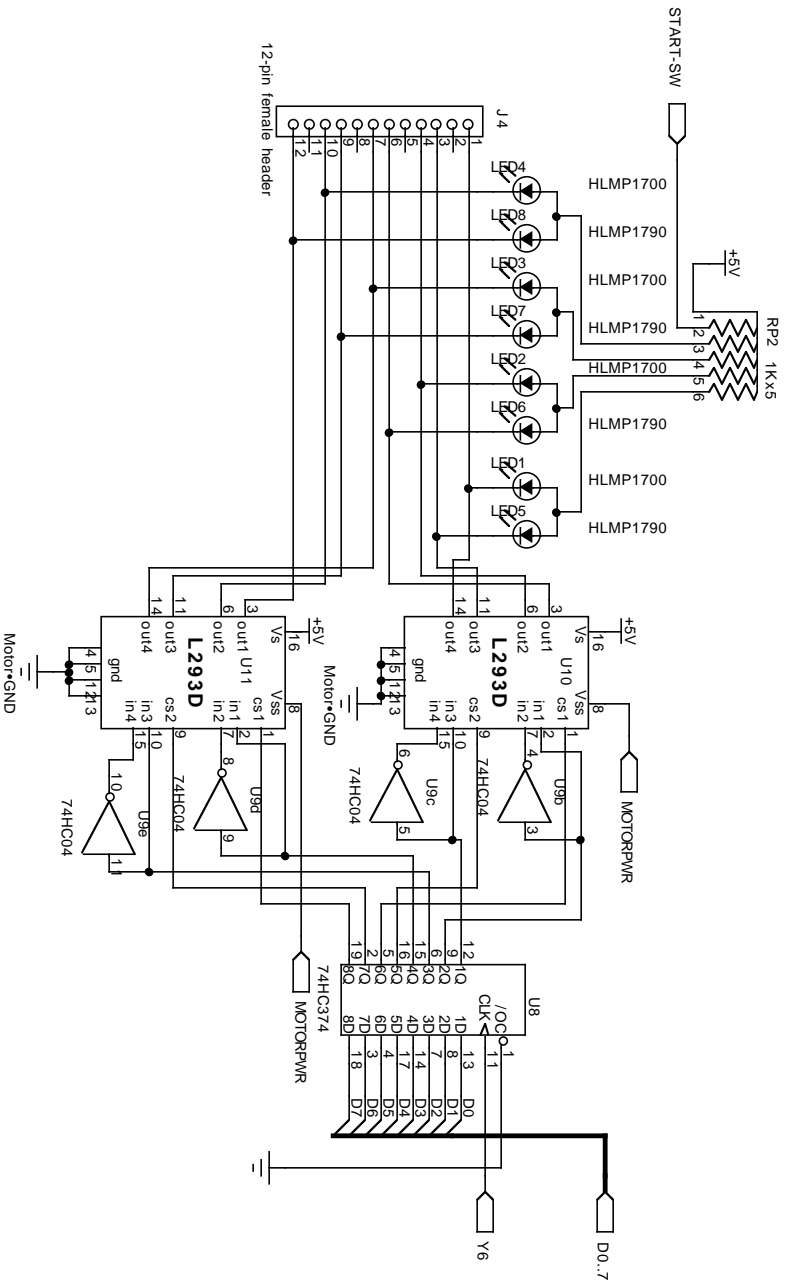


Fred G. Martin
 fredm@media.mit.edu
 MIT Media Laboratory
 March 28, 1996

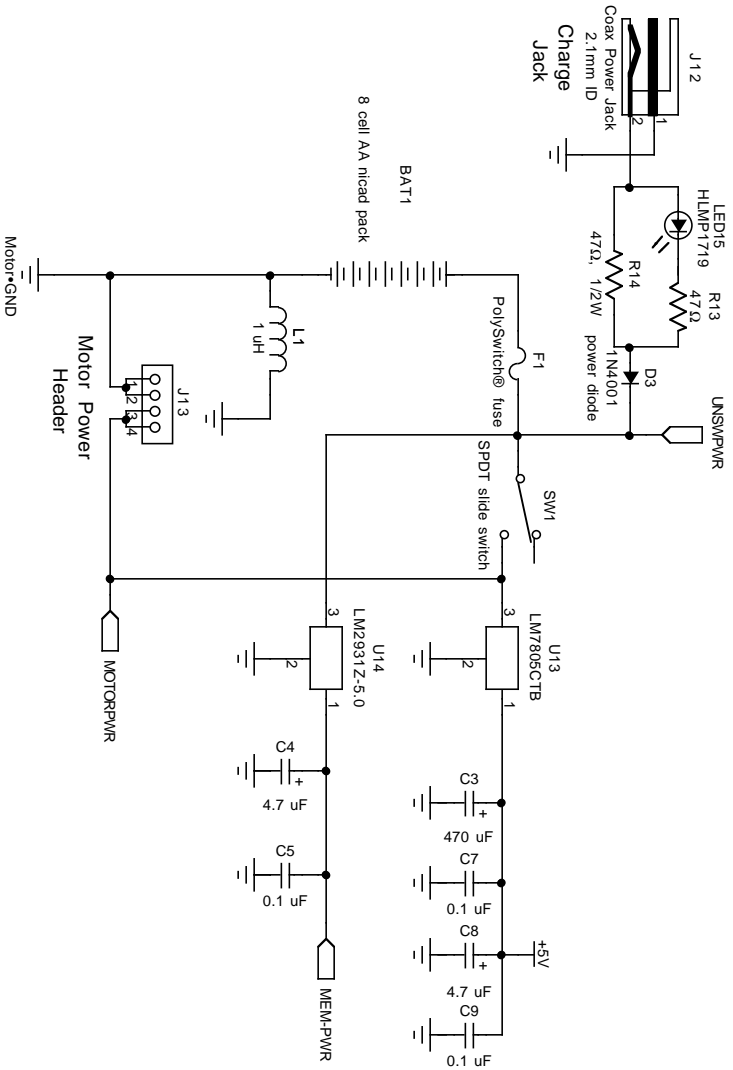
Handy Board version 1.2 CPU Board: Analog Input Circuit



Handy Board version 1.2 CPU Board: Motor Output Circuit



Handy Board version 1.2 CPU Board: Power Supply Circuit



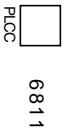
Handy Board Additional Parts

Handy Board version 1.2 CPU Board:

These parts are here to show up in the automatic "Bill of Materials" parts list.

IC sockets

52-pin PLCC socket



6811

PLCC

14-pin DIP socket



'132

DIP5

20-pin DIP socket



'374

DIP1

16-pin DIP socket



'138

DIP6

20-pin DIP socket



'244

DIP2

16-pin DIP socket



L293-1

DIP7

28-pin DIP socket



RAM

DIP3

16-pin DIP socket



L293-2

DIP8

14-pin DIP socket



'04

DIP4

16-pin DIP socket



MAX232

DIP9

female strip header



male strip header



Enclosures

CPU board enclosure



ENCL1

interface enclosure



ENCL2

LCD Connector

J14



14-pin female header

J15



14-pin male header

Miscellaneous

CAB1



telephone cable

4-wire

AC or DC adapter
12V, 500mA



DC1

Handy Board Interface/Charger Unit, version 1.0

